



# BURN-IN OVEN

## Data Sheet

Linner Elektronik  
Ingolstädter Straße 24  
85283 Wolnzach

[info@linner-elektronik.de](mailto:info@linner-elektronik.de)  
[www.linner.com](http://www.linner.com)

### Contact person

Florian Guggenberger  
Key Account Sales Manager

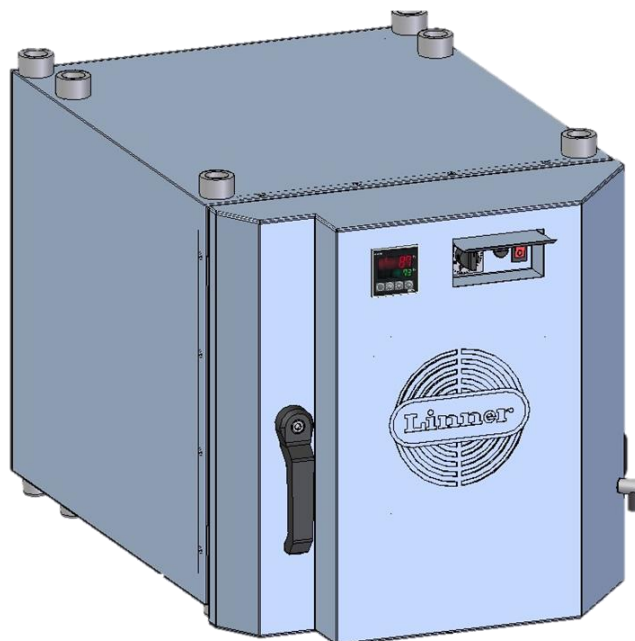
+49 (0) 151 264 644 55  
[florian.guggenberger@linner-elektronik.de](mailto:florian.guggenberger@linner-elektronik.de)

## Data sheet: Burn-in oven

The burn-in oven is used for the life time simulation of printed circuit boards in the test range from 20 °C – 300 °C.

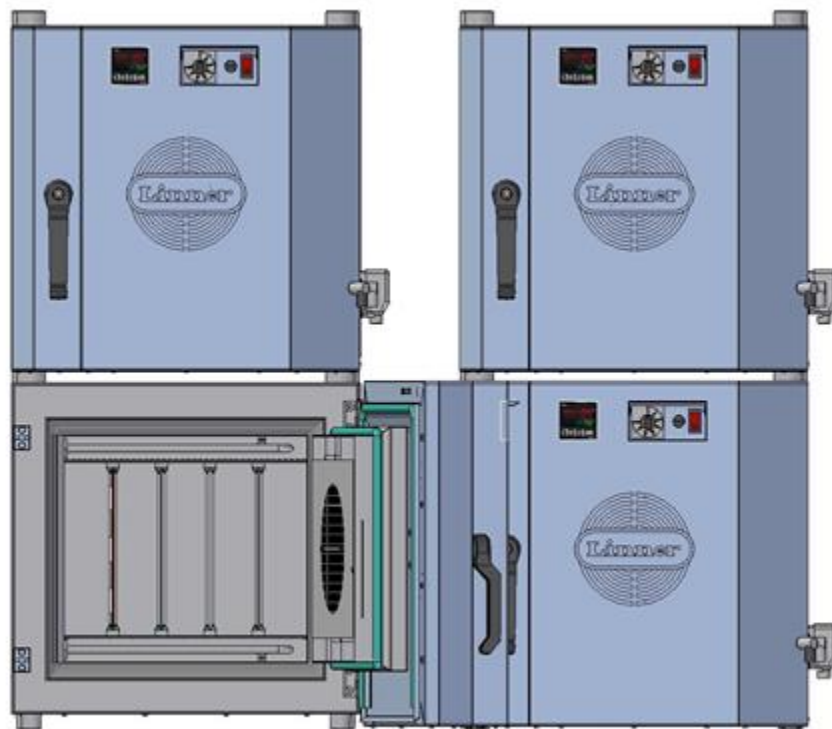
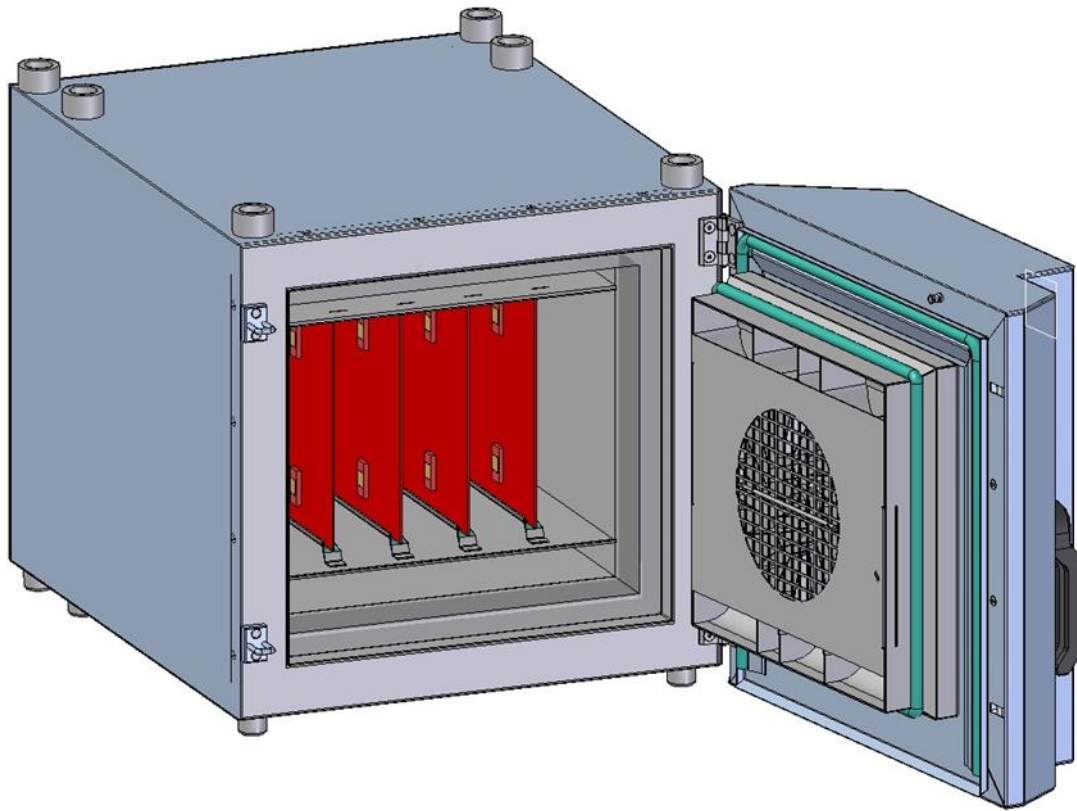
### The advantages at a glance

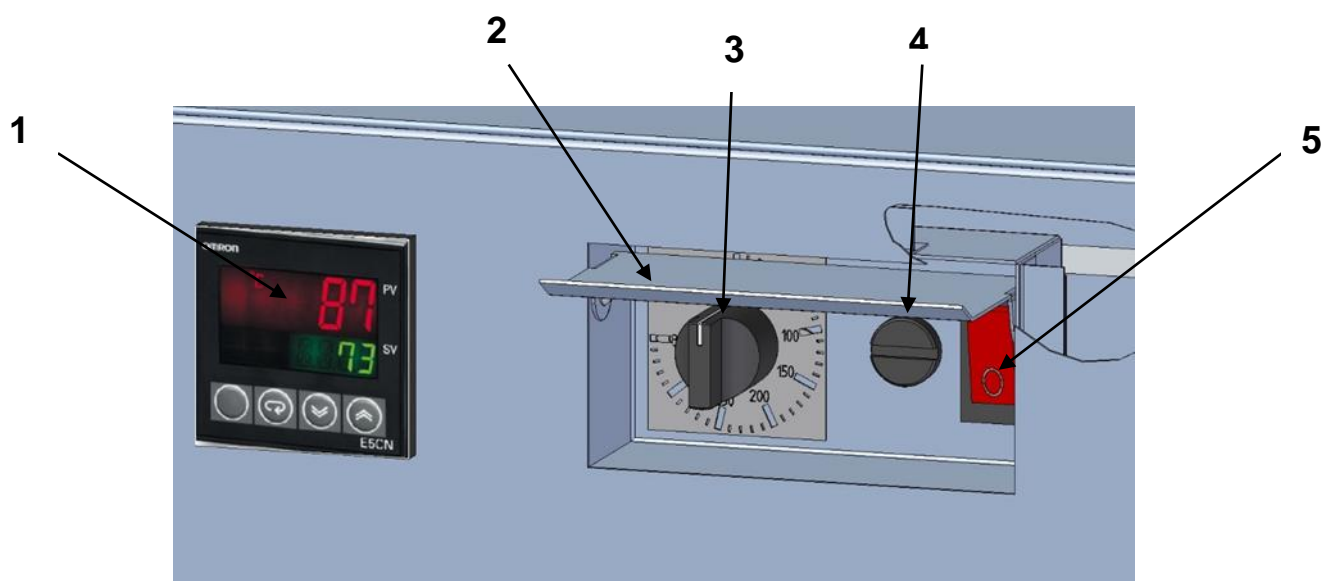
- Homogeneous and stable Climate conditions
- Surface temperature < 60°C
- Designed for maximum Plant availability
- Device complies with DIN 12880 and the CE requirements
- Stackable up to 3 pieces on top each other
- Avoidance of unnecessary conduction losses
- Adjustable control panel
- Additional interface for external temperature registration and control of the test chamber via PC
- External temperature sensor PT100
- Safety shutdown at opening the door of the heating and Fan
- Signal tap of the Safety shutdown for Monitoring





Data sheet: Burn-in oven





### Control panel

1	Digital temperature controller
2	Covers
3	Capillary tube controller
4	Fuse
5	Main switch



## Data sheet: Burn-in oven

### Technical data

---

#### Dimensions

---

External dimensions	425 x 405 x 500 mm
Inner dimensions	260 x 220 x 340 mm
Distance between circuit board holders	60 mm
Number of circuit boards	Max. 4
Weight	49 kg

---

#### Cable data

---

Operating temperature	20 °C - 300 °C
Temperature deviation	max. $\pm$ 2,0 K
Overshoot of the internal temperature	max. 2,0 K
Heating speed dT / dt	5 K / min
Outdoor temperature	< 60 °C
Internal temperature of the control room	Tu + 20 K
Flow velocity	3 $\pm$ 0,3 m / sec.

---

#### Electrical data

---

Nominal voltage	230 V / 50 Hz
Rated capacity	1.850 W

---

### Changes / Accessories:

The Burn-In oven in the standard version does not yet fully correspond to your problem? Contact us and we will find the Solution.